



## Product description

Fingerprint module as access control system with function LED.

Suitable for:

- Stand-alone operation
- Operation with entrance controller EC 602-...

Programming takes place using PRI 602-... USB or PRI 602-... and provided PRS 602-...

- Operation with door controller TCIP 603-...

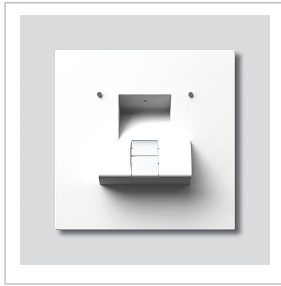
Programming by means of web browser

## Specifications

Operating voltage:	12 V AC
Operating current:	max. 250 mA
Contact type:	n.o. contact 24 V, 2 A
Switching time:	3 sec
Protection system:	IP 54
Ambient temperature:	-20 °C to +55 °C
Height of structure (mm):	17
Dimensions (mm) W x H x D:	99 x 99 x 43

## Article information

Article designation	Article description	Colour/Material	Article no.
FPM 611-02 GM	Fingerprint module	Graphite brown metallic	042155
FPM 611-02 TM	Fingerprint module	Titanium metallic	042157



Fingerprint module  
FPM 611-02

Page 2

---

## Accessories

---

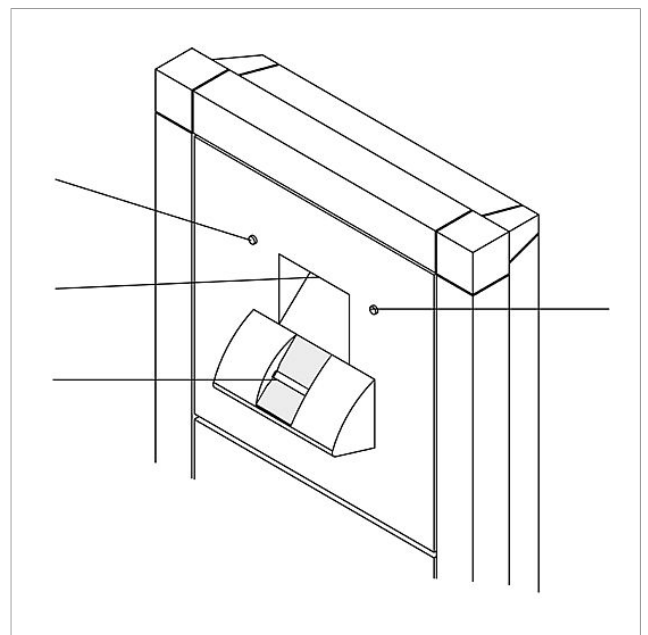
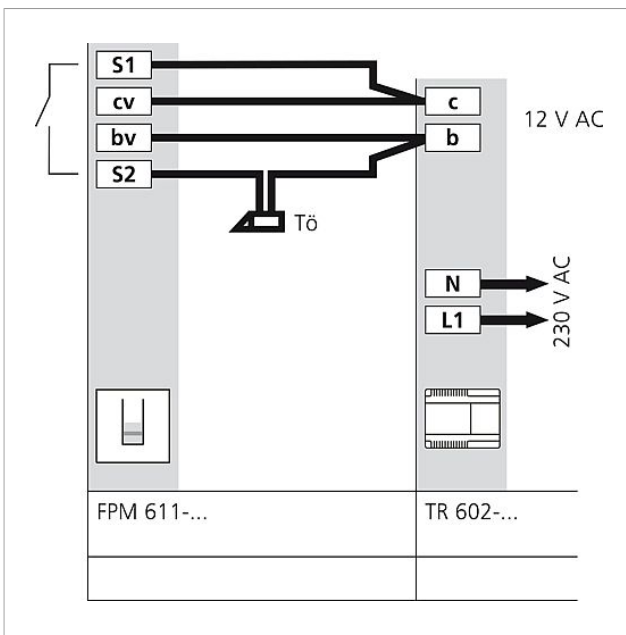
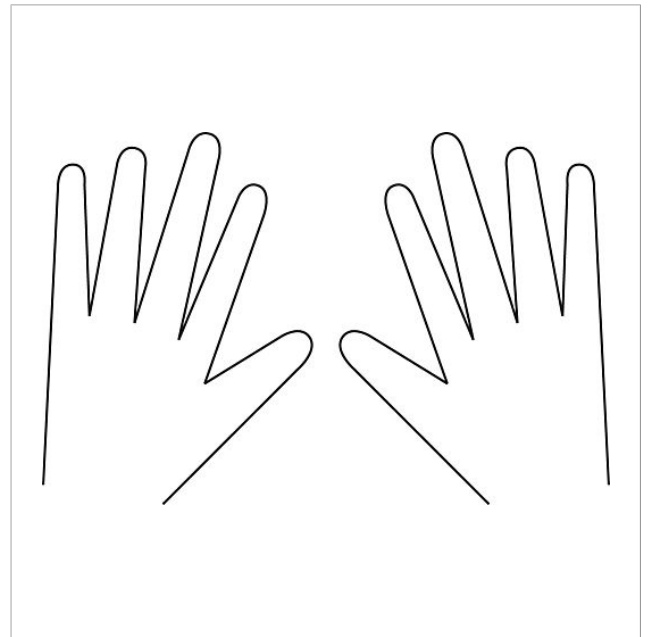
Article designation	Article description	Colour/Material	Article no.
Vario 611 GM	Repair paint	Graphite brown metallic	039939
Vario 611 TM	Repair paint	Titanium metallic	039938

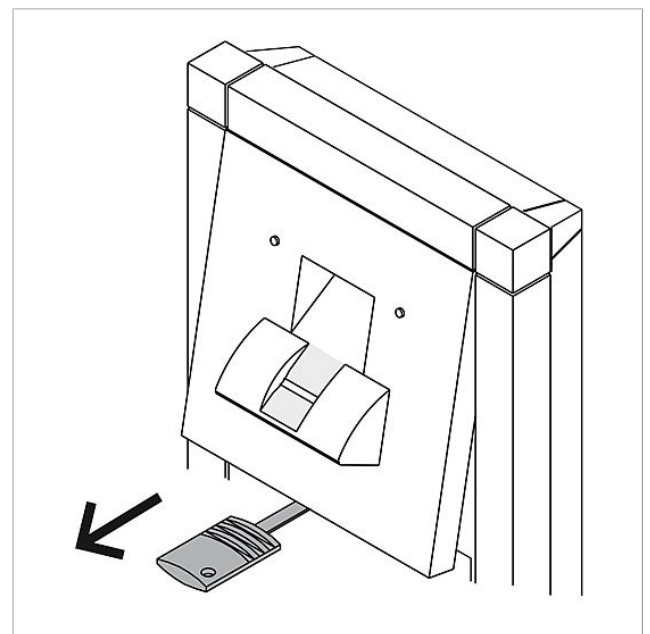
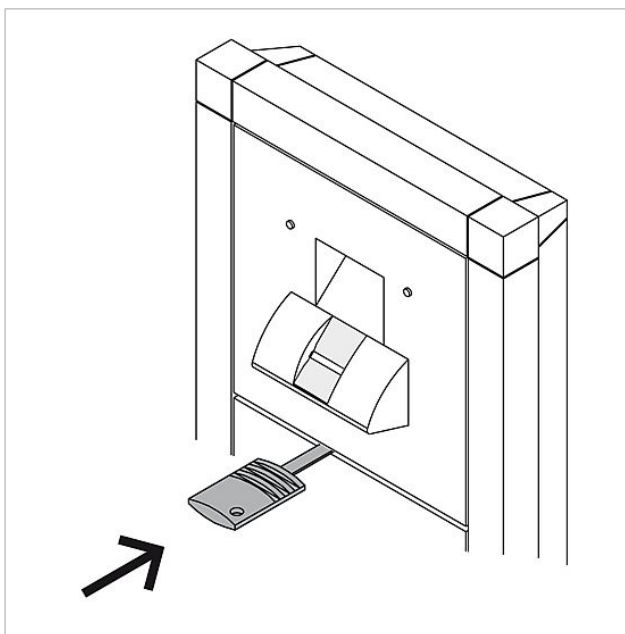
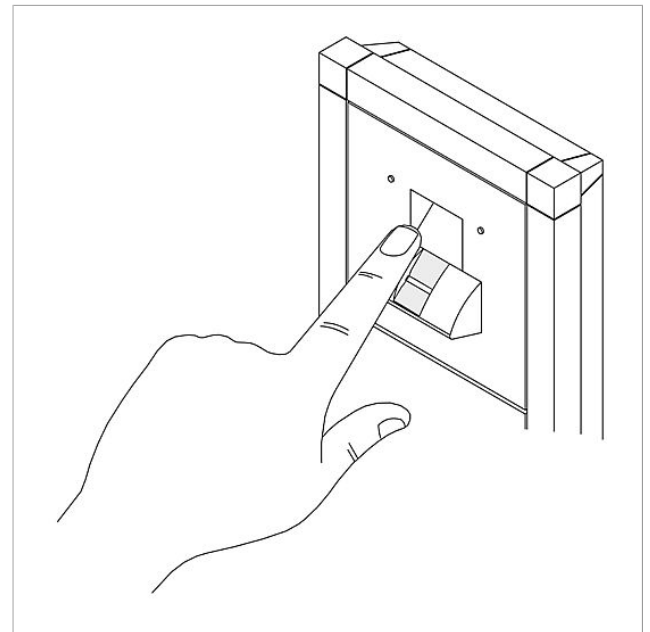
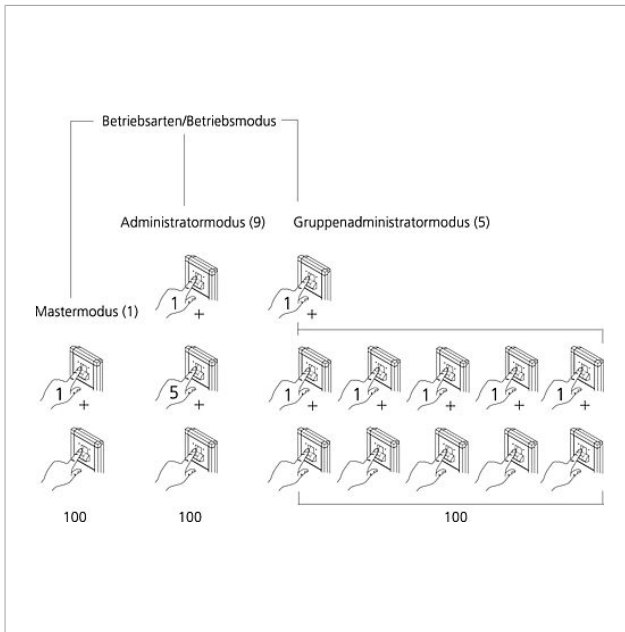
---

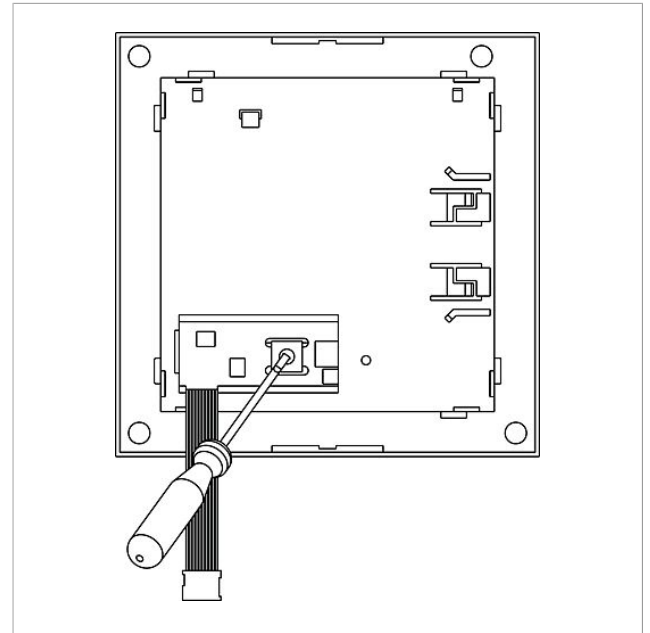
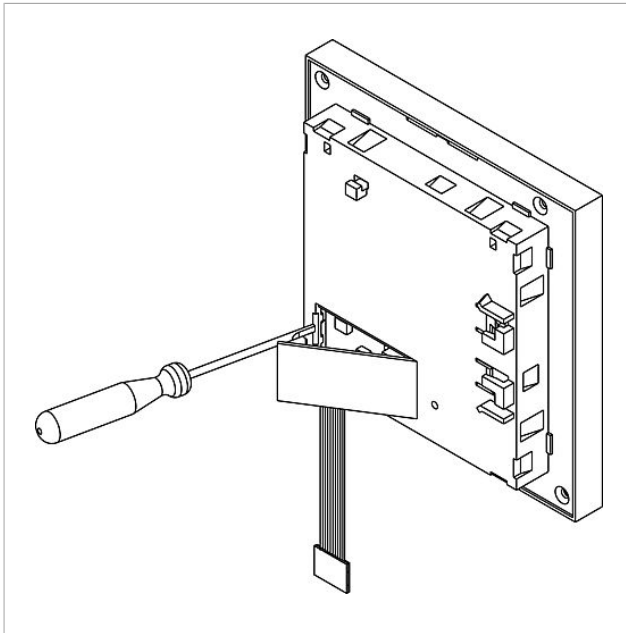
## Spare parts

---

Article designation	Article description	Colour/Material	Article no.
FPM 611-...	Terminal block	Black	029928









Fingerprint module  
FPM 611-02

Page 6

---

FPM 611-02 Fingerprint module	Product information	886 kB	<a href="#">Download</a>
FPM 611-02 Operating Instructions for end users Fingerprint module	Manual	271 kB	<a href="#">Download</a>
FPM 611-... Fingerprint table, Fingerprint module	Additional information	415 kB	<a href="#">Download</a>
FPM 611-...	Declaration of Conformity	645 kB	<a href="#">Download</a>
FPM 611-... Firmware 2.0.3 and update manual	Software	975 kB	<a href="#">Download</a>