

Flush-mount housing  
GU 611-2/1-0

Page 1



---

## Product description

Flush-mount housing in dimensionally stable plastic, for fixture of the mounting frame MR 611-2/1-... using quick-release screw joints.

With prepared cable inlets, cable clamps and quick-release fixtures for the combination terminals. Mounting possible with hollow wall mounting accessory ZHB 612-... The housing units can be mounted one above the other and side by side using the provided accessories.

---

## Specifications

Dimensions (mm) W x H x D: 100 x 200 x 50

---

## Article information

Article designation	Article description	Colour/Material	Article no.
GU 611-2/1-0	Flush-mount housing	Grey	016702

Flush-mount housing  
GU 611-2/1-0

Page 2



---

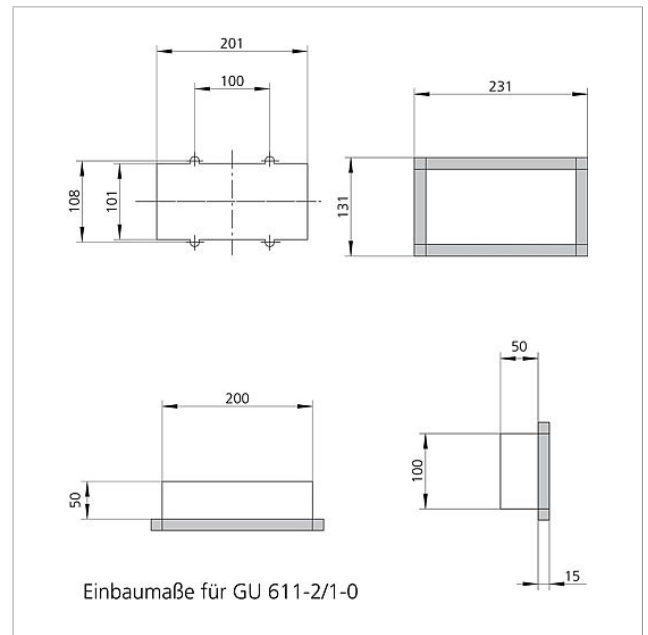
## Accessories

---

Article designation	Article description	Colour/Material	Article no.
MR 611-2/1-0	Mounting frame	Brass	015590
ZHB 612-0	Hollow wall fastening accessory	Miscellaneous	016705
ZSB 611-0	Formwork wall fastener accessory	White	016706

Flush-mount housing  
GU 611-2/1-0

Page 3



Flush-mount housing  
GU 611-2/1-0

Page 4



---

[Vario 611 Mounting instructions](#)

[Product information](#)

1,6 MB

[Download](#)