

Flush-mount housing
GU 611-4/1-0

Page 1



Product description

Flush-mount housing in dimensionally stable plastic, for fixture of the mounting frame MR 611-4/1-... using quick-release screw joints.

With prepared cable inlets, cable clamps and quick-release fixtures for the terminal blocks. Mounting possible with hollow wall mounting accessory ZHB 612-... The housing units can be mounted one above the other and side by side using the provided accessories or are required for mounting square function modules in the BGA 611-..., BG/SR 611-... For each GU 611-4/1-..., 1 MA/BG 611-... is required.

Specifications

Dimensions (mm) W x H x D: 100 x 400 x 50

Article information

| Article designation | Article description | Colour/Material | Article no. |
|---------------------|---------------------|-----------------|-------------|
| GU 611-4/1-0 | Flush-mount housing | Grey | 016704 |

Flush-mount housing
GU 611-4/1-0

Page 2

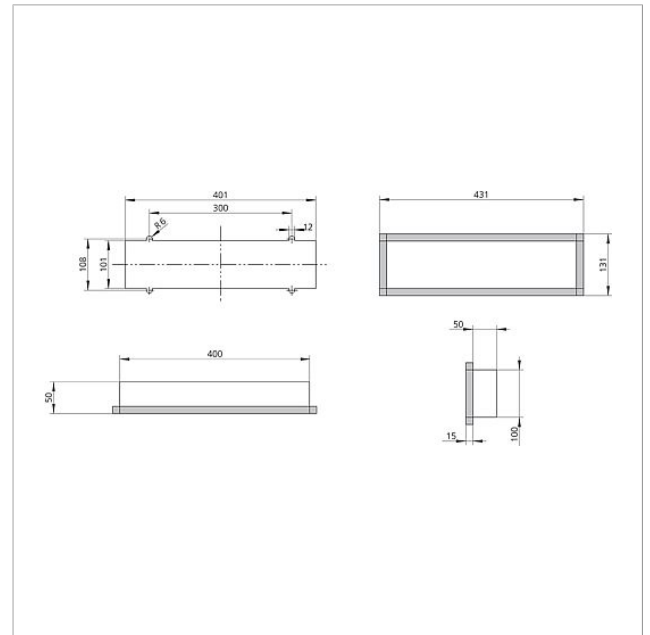


Accessories

| Article designation | Article description | Colour/Material | Article no. |
|---------------------|----------------------------------|-----------------|-------------|
| MA/BG 611-0 | Mounting adapter | Black | 018404 |
| MR 611-4/1-0 | Mounting frame | Brass | 015592 |
| ZHB 612-0 | Hollow wall fastening accessory | Miscellaneous | 016705 |
| ZSB 611-0 | Formwork wall fastener accessory | White | 016706 |

Flush-mount housing
GU 611-4/1-0

Page 3





Flush-mount housing
GU 611-4/1-0

Page 4

[Vario 611 Mounting instructions](#)

[Product information](#)

1,6 MB

[Download](#)