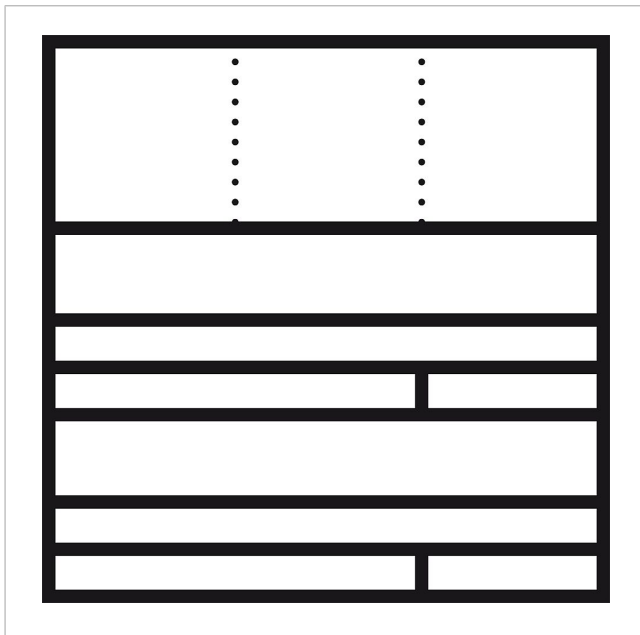


Surface-mounted space-saving letterbox
RGA 611-2/1-0

Page 1



Product description

Surface-mount housing with 2 integrated space-saving letterboxes with front removal. Ideally suited to accommodate several spacious letterboxes in a restricted area. 1 additional compartment to accommodate 3 function modules such as a door loudspeaker module.

Specifications

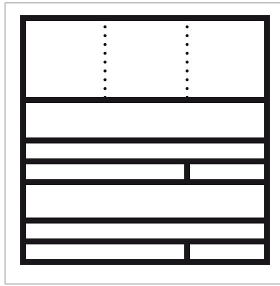
Dimensions (mm) W x H x D	331 x 331 x 400
Weight (kg)	15.07

Article information

Article designation	Article description	Colour/Material	Article no.
RGA 611-2/1-0 BG	Surface-mounted space-saving letterbox	Micaceous amber	039682
RGA 611-2/1-0 DG	Surface-mounted space-saving letterbox	Micaceous dark grey	039683
RGA 611-2/1-0 SH	Surface-mounted space-saving letterbox	High gloss black	039681
RGA 611-2/1-0 SM	Surface-mounted space-saving letterbox	Silver metallic	023262
RGA 611-2/1-0 W	Surface-mounted space-saving letterbox	White	023260
RGA 611-2/1-0 WH	Surface-mounted space-saving letterbox	High gloss white	039680

Surface-mounted space-saving letterbox
RGA 611-2/1-0

Page 2



Accessories

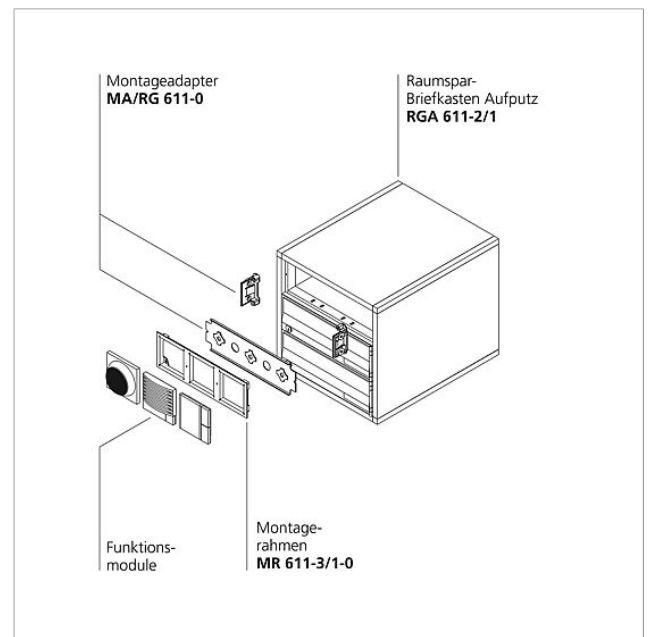
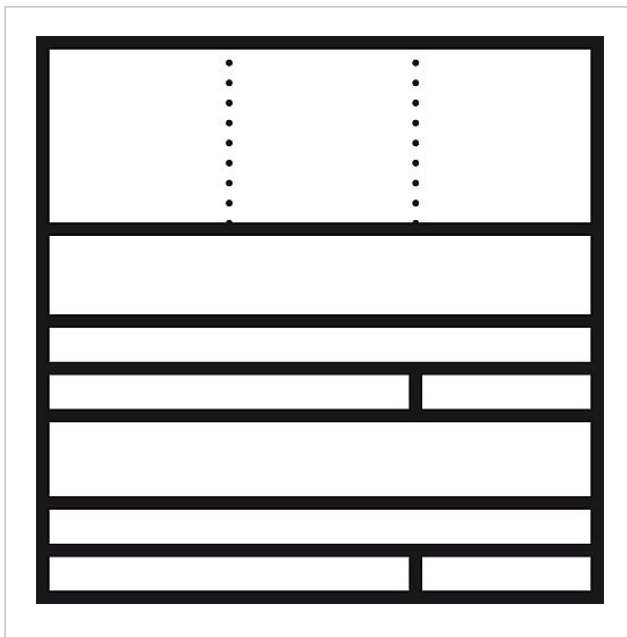
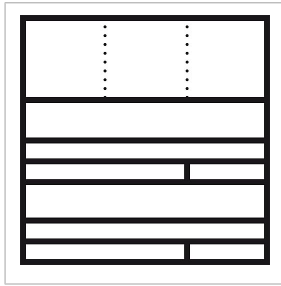
Article designation	Article description	Colour/Material	Article no.
MA/RG 611-0	Mounting adapter	Miscellaneous	018415
Vario 611 BG	Repair paint	Micaceous amber	039945
Vario 611 DG	Repair paint	Micaceous dark grey	039946
Vario 611 SH	Repair paint	High gloss black	039943
Vario 611 SM	Repair paint	Silver metallic	039937
Vario 611 W	Repair paint	White	039936
Vario 611 WH	Repair paint	High gloss white	039944

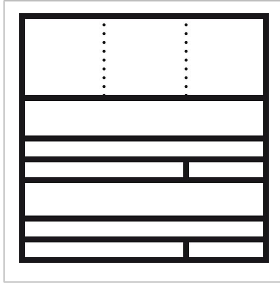
Spare parts

Article designation	Article description	Colour/Material	Article no.
RGA/RGF 611-...	Spare lock	Miscellaneous	029520
RGA/RGF 611-...	Complete nameplate	Clear glass	029521
RGA/RGF 611-...	Nameplate insert	White	029522

Surface-mounted space-saving letterbox
RGA 611-2/1-0

Page 3





Surface-mounted space-saving letterbox
RGA 611-2/1-0

Page 4

RGA 611-... Surface-mounting spacesaving letterbox

Product information

241 kB

[Download](#)