



Product description

The Smart Gateway links the In-Home bus to IP networks, permitting the integration of IP devices into the door communication.
2 years of updates included.

Performance features:

- Interface between the In-Home bus and IP networks
- Transmission of door communication call, audio, video and control signals via the Ethernet/Internet to IP users
- Utilization of IP devices (smartphones, tablets, Windows PC) as a door communication indoor station
- Support for apps for iPhone or iPad
- Up to 50 IP users (subject to licence, 2 licences included)
- Up to 6 IP users per IP group
- Parallel call to IP and In-Home bus terminals possible
- Video surveillance
- Direct door dialling from list
- Central video memory
- Switching and control functions (e.g. for door opening and light switching)
- Link-up of IP cameras in connection with the virtual in-house telephone and Siedle App

The following functions will be delivered subsequently in a software update:

- Link-up of VoIP telephone
- CTI door call: Audio transmission via the telephone network in parallel with the video signal possible over Ethernet, ensuring an audio link in optimum TC quality

Specifications

Horizontal pitch (HP):	6
Dimensions (mm) W x H x D:	107 x 109 x 60

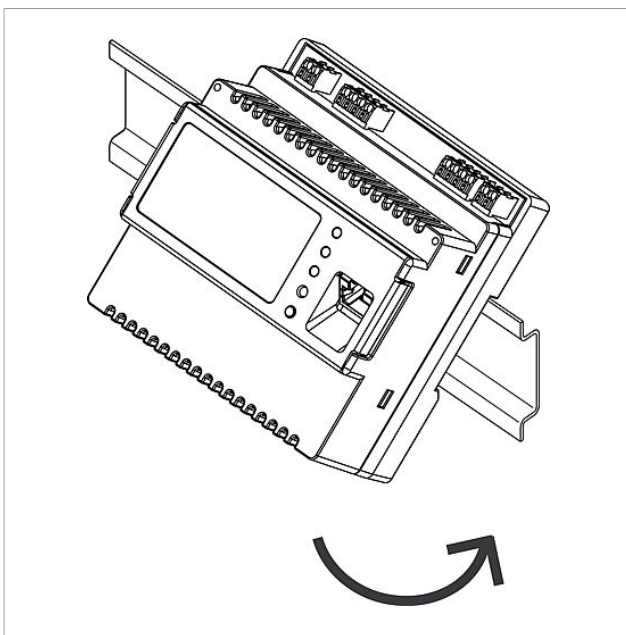
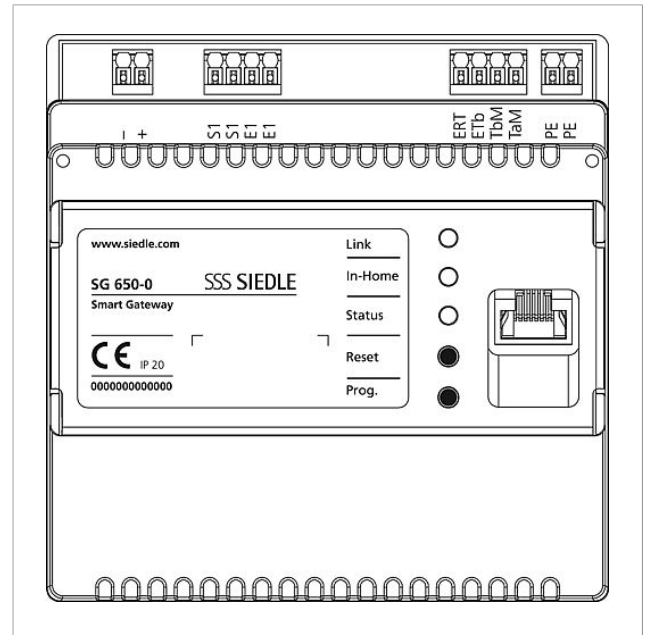
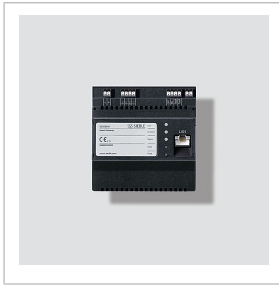
Article information

Article designation	Article description	Colour/Material	Article no.
SG 650-0	Smart Gateway	Miscellaneous	048807



Accessories

Article designation	Article description	Colour/Material	Article no.
BLC 250-0	Bus licence client	Miscellaneous	048823
ZAP 6-0	Accessory terminal cover	Black	105205





Smart Gateway
SG 650-0

Page 4

SG 650-0 Smart Gateway	Product information	830 kB	Download
	Commissioning instruction	962 kB	Download
Application examples Smart Gateway SG 650-0	Additional information	2,6 MB	Download
SG 650-0 Firmware V. 1.1.0	Firmware	233,2 MB	Download
SG 650-0 Release Notes V. 1.1.0	Release Notes	201 kB	Download
BSHT 650-0 Bus software in-house telephone v. 1.7.0	Software	119,9 MB	Download
SG 650-0 Firmware V. 1.0.0	Firmware	235,9 MB	Download
SG 650-0 Release Notes V. 1.0.0	Release Notes	1,6 MB	Download
BSHT 650-0 Bus software in-house telephone v. 1.6.11	Software	120,7 MB	Download
SG 650-0 Smart Gateway	Declaration of Conformity	367 kB	Download